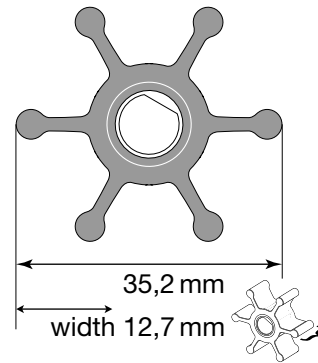


Impellers

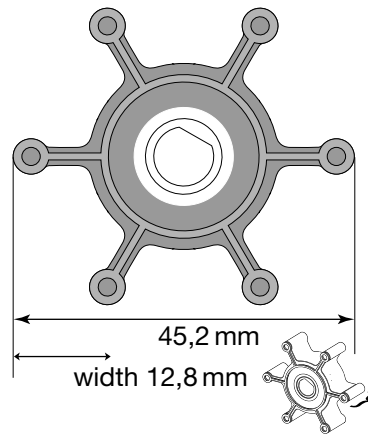
F2

Impeller article number 09-1077B-9
Nitrile (oil resistant)

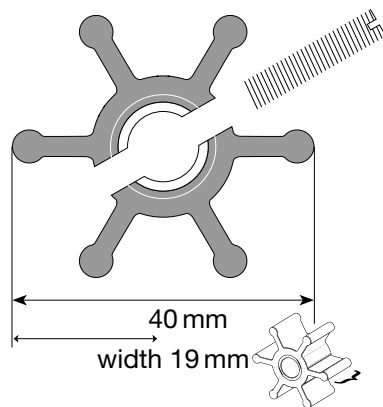


F3

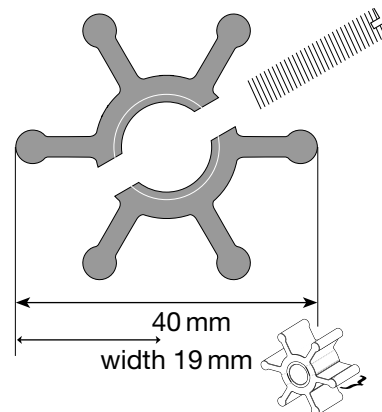
Impeller article number 09-1052S-9
Nitrile (oil resistant)



F35

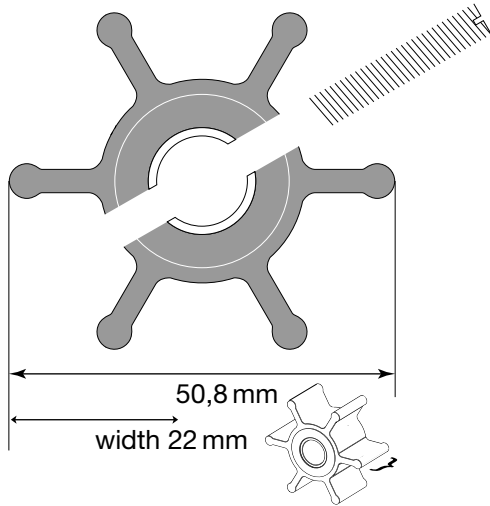


Impeller article number 09-806B
Neoprene (for cooling)
replaces Jabsco 4528-0001 Europe & USA
inner diameter 9,5 mm

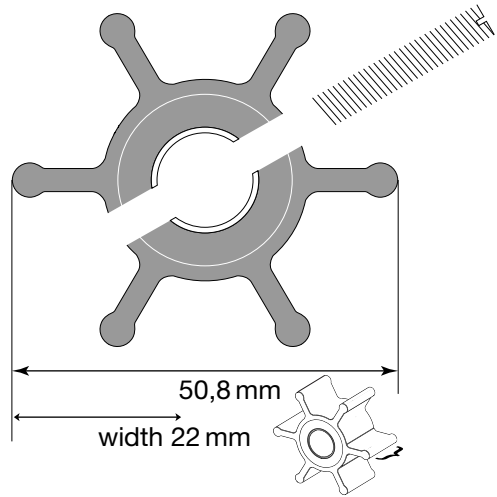


Impeller article number 09-808B
Neoprene (for cooling)
replaces Jabsco 22405-0001 Europe & USA
inner diameter 12 mm

F4

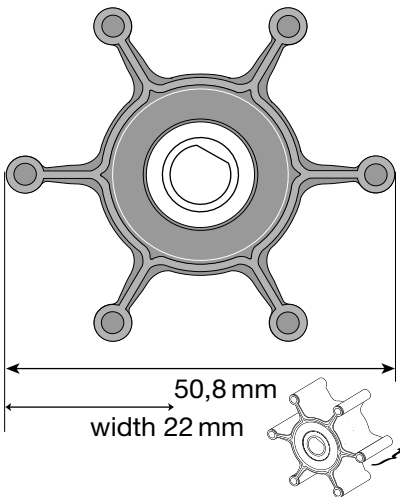


Impeller article number **09-810B**
 Neoprene (for cooling)
replaces Jabsco 18653-0001 Europe & USA
 Impeller article number **09-810B-9**
 Nitrile (oil resistant)
 inner diameter 12 mm

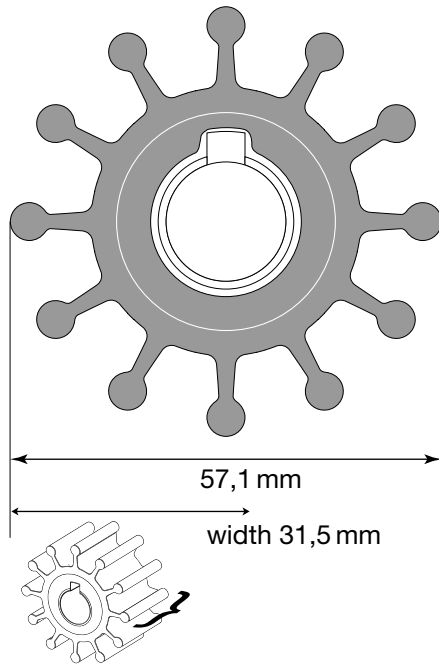


Impeller article number **09-1026B**
 Neoprene (for cooling)
replaces Jabsco 673-0001 Europe & USA
 Impeller article number **09-1026B-9**
 Nitrile (oil resistant)
replaces Jabsco 673-0003 Europe & USA
 inner diameter 12,7 mm

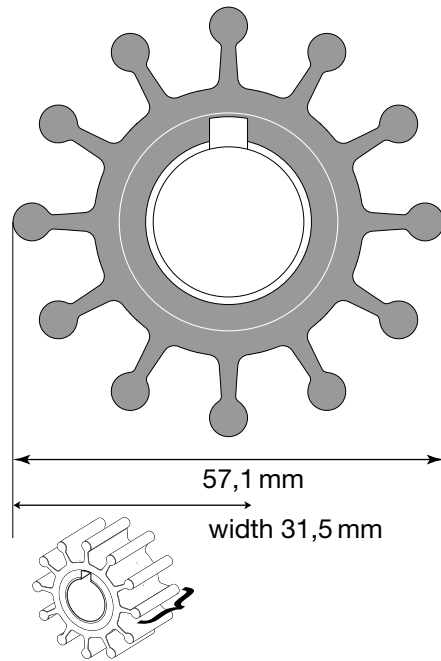
F4



Impeller article number **09-824P**
 Nitrile (oil resistant)
replaces Jabsco 6303-0003 Europe & USA

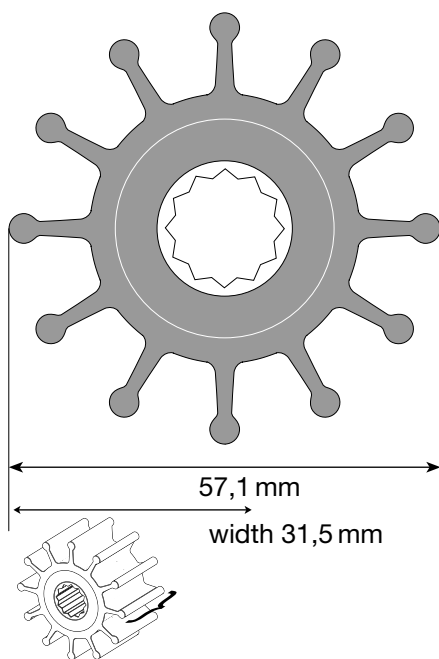


Impeller article number 09-801B
 Neoprene (for cooling)
 replaces Jabsco 4568-0001 Europe & USA
 inner diameter 15,9 mm/key



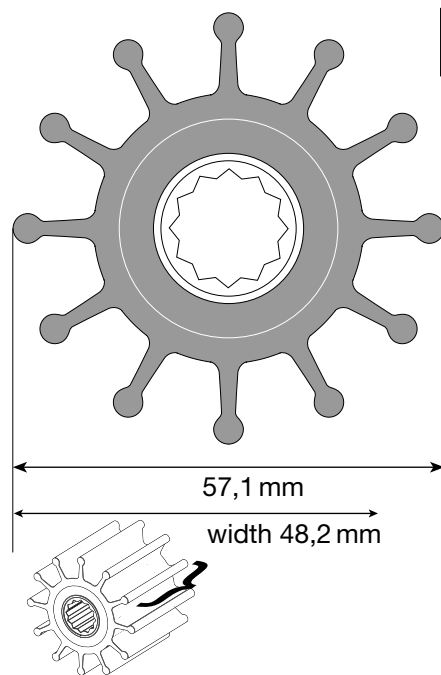
Impeller article number 09-804B-9
 Nitrile (oil resistant)
 inner diameter 20 mm/key

F5



Impeller article number 09-1027B
 Neoprene (for cooling)
 replaces Jabsco 1210-0001 Europe & USA
 Impeller article number 09-1027B-9
 Nitrile (oil resistant)
 replaces Jabsco 1210-0003 Europe & USA

F5

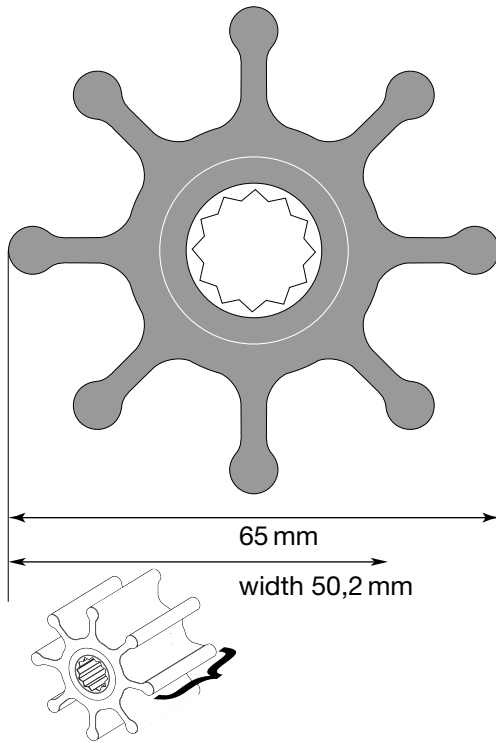


Impeller article number 09-812B
 Neoprene (for cooling)
 replaces Jabsco 13554-0001 USA

F6

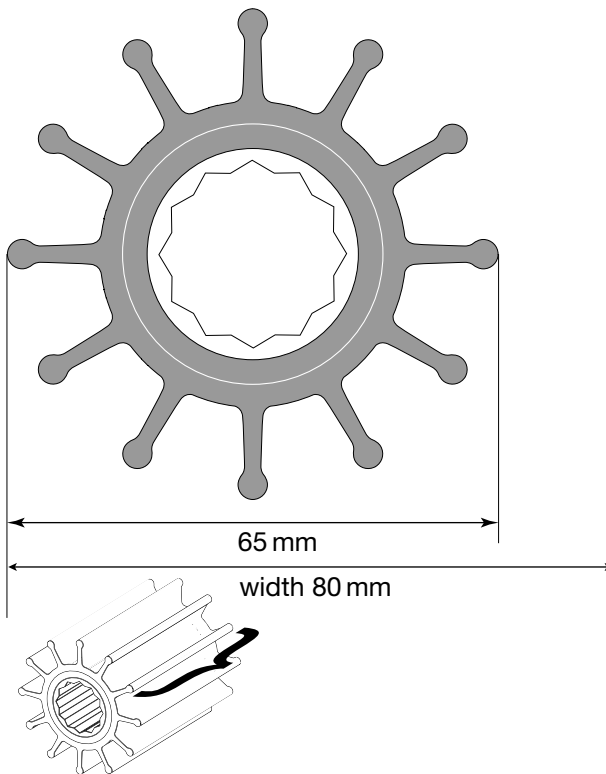
Spare parts

F7



Impeller article number 09-1028B
Neoprene (for cooling)
replaces Jabsco 17937-0001 Europe & USA
Impeller article number 09-1028B-9
Nitrile (oil resistant)
replaces Jabsco 17937-0003 Europe & USA

F75

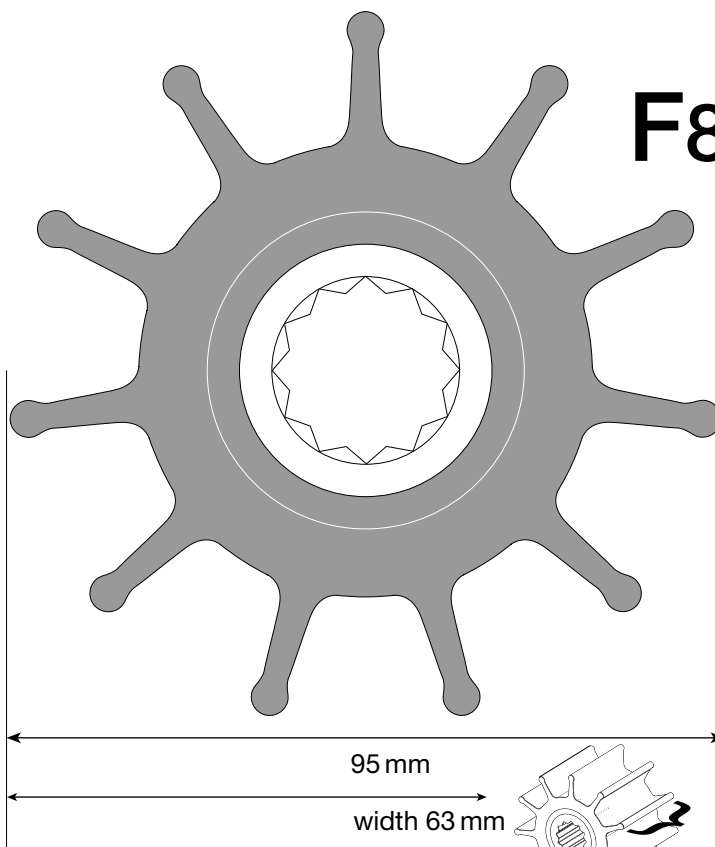


Impeller article number 09-821B
Neoprene (for cooling)

F8

Impeller article number **09-819B**
 Neoprene (for cooling)
replaces Jabsco 836-0001 Europe & 17935-0001 USA

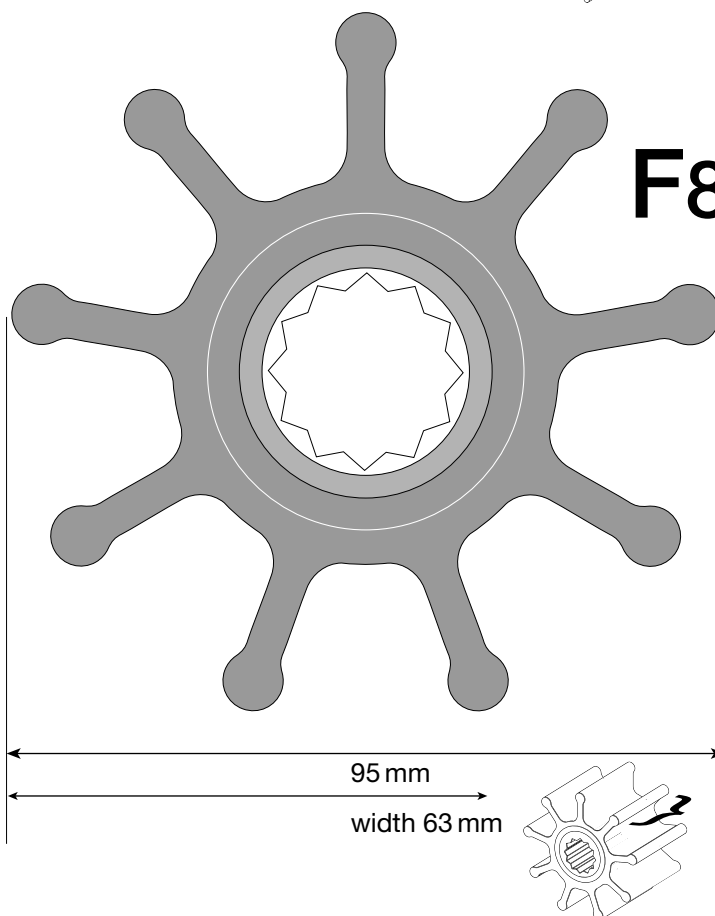
Impeller article number **09-819B-9**
 Nitrile (oil resistant)
replaces Jabsco 836-0003 Europe & 17935-0003 USA



F8

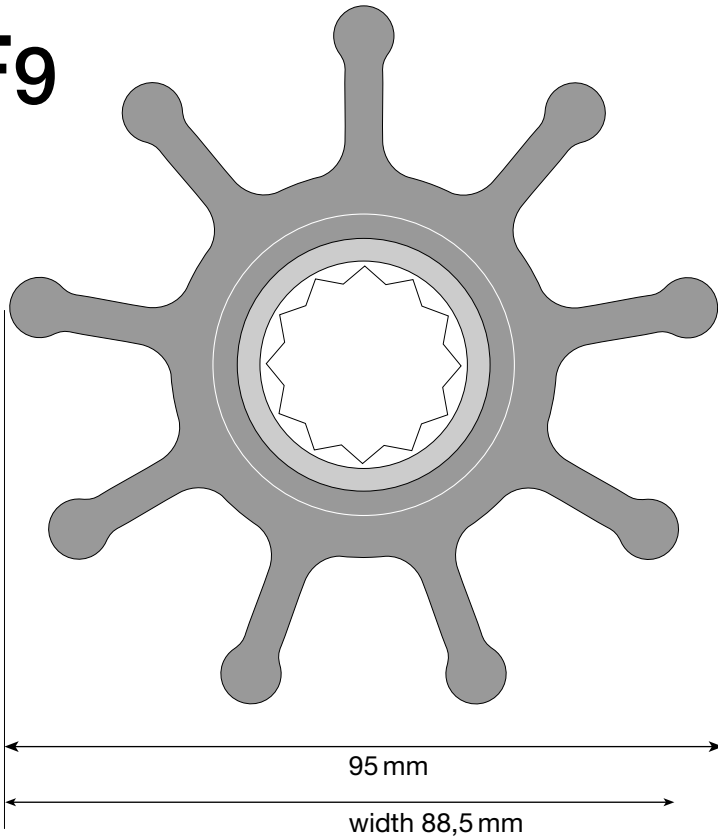
Impeller article number **09-1029B**
 Neoprene (for cooling)
replaces Jabsco 836-0001 Europe & 17935-001 USA

Impeller article number **09-1029B-9**
 Nitrile (oil resistant)
replaces Jabsco 836-0003 Europe & 17935-003 USA

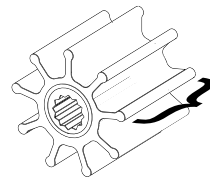


Spare parts

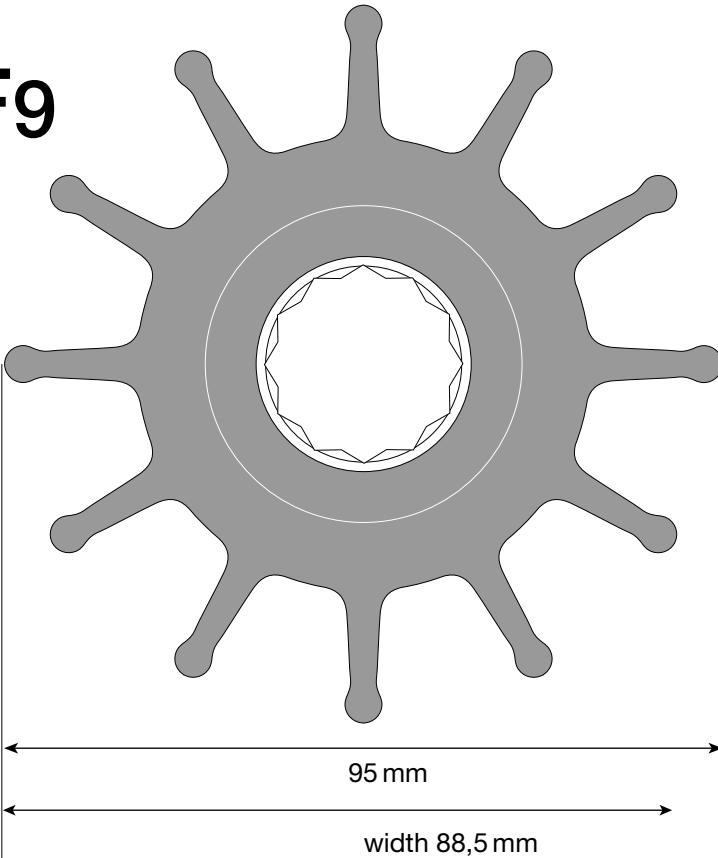
F9



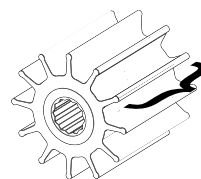
Impeller article number 09-802B
Neoprene (for cooling)
replaces Jabsco 6760-0001 Europe & USA



F9

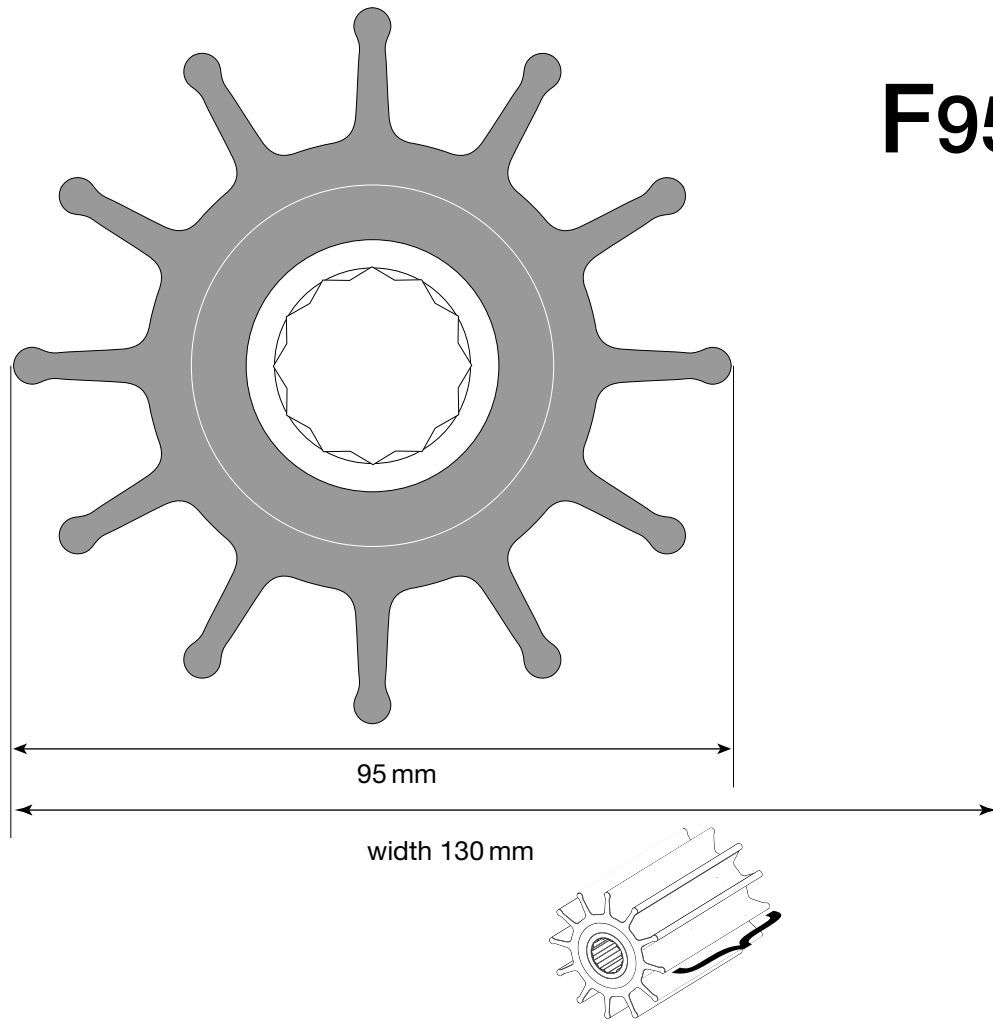


Impeller article number 09-814B
Neoprene (for cooling)
*replaces Jabsco 21676-0001 Europe &
17936-0001 USA*



Spare parts

F95



Impeller article number 09-820B
Neoprene (for cooling)