



040 Size Utility Pump - AC Flexible Impeller MPU

02/01

53040 Series

Bronze Flexible Impeller Utility Pump

Features

- Self primes from dry up to 3 metres
- Flows up to 35 litres per minute
- Pressure up to 2.5 bar
- Handles hard or soft solids
- Tolerates abrasive wear
- Non pulsating flow
- Handles viscosities up to 500 centiPoise
- Dry running capability for 30 minutes, (post operation)



Typical Applications

- Sump emptying and cellar drainage
- Sewage tank emptying
- Product transfer
- Mains boosting
- Shallow well pumping
- Water sampling
- Washdown systems
- Silo pump-out on farms

Specifications

Seal : Carbon/Ceramic mechanical seal, Nitrile elastomers

Pump Head : Bronze with integral fluid reservoir to protect pump against dry running for up to 30 minutes, post operational

End Cover : Brass

Bearings : Uses motor bearings

Shaft : Stainless steel motor shaft

Ports : 1" BSP internal thread

Cable : Fitted with 2m long supply cable

Weight : 9.5kg.

	Pump rated to 40 minutes continuous duty at 1.5 bar differential pressure with water at 20°C ambient temperature
--	--

Model Options

Impeller Option				Nitrile	Neoprene
Temperature Range				-5°C to 90°C	4°C to 80°C
Pressure Rating				Standard	High
Volts	Amps	Hertz	RPM		
230	4	50	1450	53040-2003	53040-2021
110	8	50	1450	53040-2103	
Pump Head Only				53041-2003	53041-2021

All motors are 4 pole, single phase, 550 Watt, AC. Enclosure IP55. Fitted with manual reset overload.

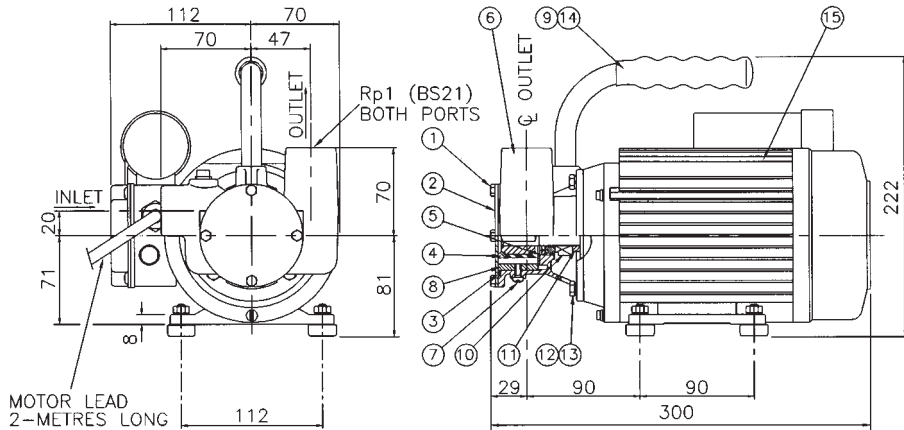
Note: it is recommended to start the pump at extreme ends of the temperature range, impeller damage may occur

For Installation, Operating, Maintenance and Safety Instructions refer to form 43001-0543

⚠ WARNING Explosion hazard. Do not pump gasoline, solvents, thinners or other flammable liquids. To do so can cause an explosion resulting in injury or death.

⚠ WARNING Fire hazard. Wiring must comply with applicable electrical standards and include a properly sized fuse or circuit breaker. Improper wiring can cause a fire resulting in injury or death

Dimensions in mm

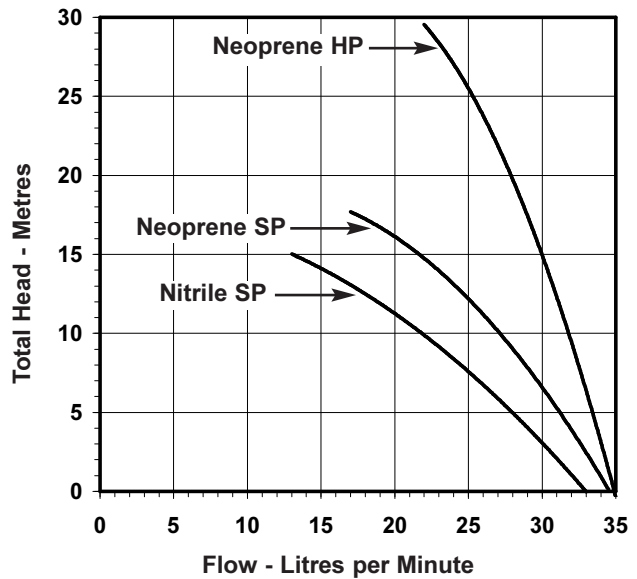


53040 Series

Parts List

Key	Description	Qty	Part No.
1	Screw*	4	X3001-0147F
2	Endcover	1	23825-0000
3	O-Ring*	1	See below
4	Impeller*	1	See below
5	Wearplate	1	9486
6	Body	1	23824-2000
7	Screw	Cam	1 SP1003-01
8	Cam	1	23826-0000
9	Handle	1	53083-0000
10	Seal assembly*	1	22626-6000
11	Spacer assembly	1	23828-1000
12	Screw	Body	4 X3001-178F
13	Washers	4	X3081-091F
14	Handle grip	1	X5255-005
15	Motor	230V/50Hz	1 SP8012-0212
		110V/50Hz	1 SP8012-0239

Performance



Alternative compounds, spare parts & service kit numbers

Key	Description	Rating	Neoprene	EPDM	Nitrile	Viton®
3	O-ring		X4020-259A	X4020-259A	X4020-259A	X4020-259B
4	Impeller	Standard	14281-0001	7614-0002	14281-0003	14281-0004
		High	8980-0001	8980-0002	8980-0003	8980-0004
	Service kit	Standard	SK409-0001	SK409-0002	SK409-0003	N/A
		High	SK409-0021	SK409-0022	SK409-0023	N/A

Service kits contain parts marked * above

All models use Nitrile Lip Seal and O-rings

Viton is a registered trademark of DuPont Dow Elastomers

Note : Performance shown is for a new pump, pumping water at 20°C, performance may vary by up to 15%. Consult factory for performance of alternative impeller compounds.

Jabsco



ITT Industries

USA

Jabsco
1485 Dale Way
Costa Mesa
CA 92628-2158

Tel : +1 714 545 8251
Fax : +1 714 957 0609

UK

Jabsco
Bingley Road
Hoddesdon
Hertfordshire, EN11 0BU

Tel : +44 (0) 1992 450 145
Fax : +44 (0) 1992 467 132

GERMANY

Jabsco GmbH
Oststraße 28
22844 Norderstedt

Tel : +49 (0) 40 53 53 73 0
Fax : +49 (0) 40 53 53 73 11